

*the turning point in
entrance control*

Retract Gate Barrier

retract gate barrier



Throughput
30 Per/Min



Passage
Width
500mm



IdGates Retract Barrier system is designed similar to most Flap Barrier. The only difference is its ability to support high glass panels. The high glass panel provide additional protection, prevent jump over, passing of subversive item across the barrier, etc. It act as a door as well as a pedestrian barrier. The glass panels barrier dimension can be manufactured according to customer's specification.

Elegant in appearance and yet meet the stringent specification of high security, safety and fast traffic throughput.

It is fitted with stainless steel housing with centrally position glass barrier.

The pedestal top is of stainless steel (as standard supply).

Optional choice for the pedestal top are: wood or poly stone, to match the friendly environment and modern front lobby entrance.

CE

picture is for illustration only



Retract Gate Barrier

*the turning point in
entrance control*

POWER FAILURE

- When power goes OFF both directions are free

ELECTRICAL SPECIFICATION

- Voltage: - AC 100 - 240V, 50/60Hz
- DC source 12 V
- Maximum power 155 Watt per pass

MATERIAL

- Stainless steel housing and top (standard)
- Optional available: glass, wood or poly stone
- Servo Motor

PEDESTAL DIMENSION

- Height – 992mm
- Length – 1000mm
- Width – 290mm

BATTERY BACKUP 12V, 7AH

If supplied with backup battery, the battery will switch in during Mains AC failure and support normal operation for at least 2 hours.

WEIGHT

Per pedestal – 144kg

OPTIONAL ITEM AVAILABLE

- Remote control unit
- Remote wireless control unit
- Backup battery 12V, 7Ah

COUNTRY OF MANUFACTURE

- Country of origin – Europe
- Country of manufacture – Europe

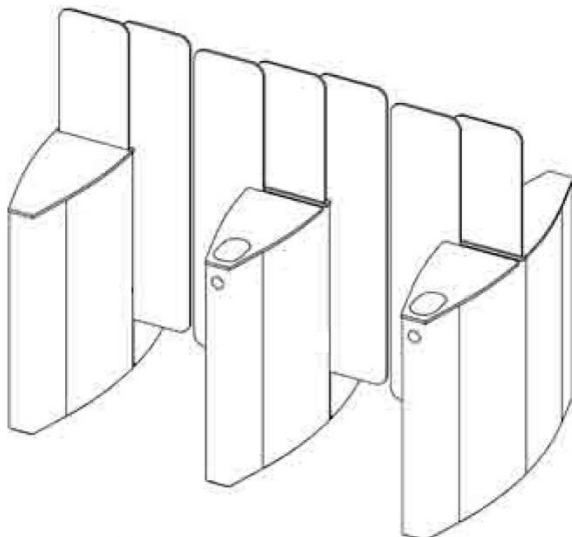
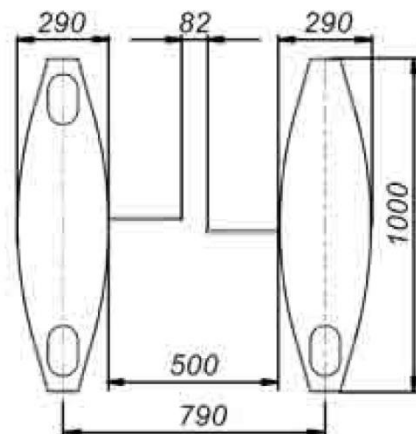
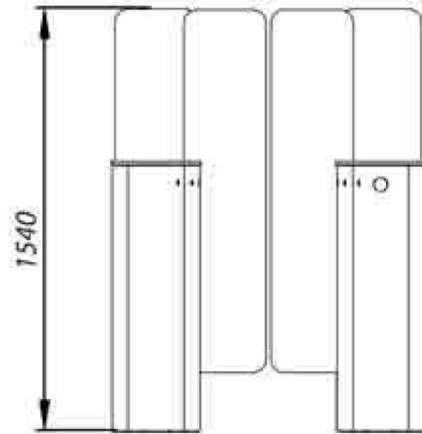
CE CERTIFIED



Access
Control



Manual
Control



dimension subject to change during order

retract gate barrier