

*the turning point in
entrance control*

Flap Barrier

flap barrier



Throughput
30 Per/Min



Passage
Width
500mm



picture is for illustration only



IdGates Flap Barrier is a waist-high pedestrian flap barrier system built for robust and fast action.

Elegant in appearance and yet meet the stringent specification of high security, safety and fast traffic throughput.

It is fitted with stainless steel housing with centrally position glass barrier.

The pedestal top is of stainless steel (as standard supply).

Optional choice for the pedestal top are: wood or poly stone, to match the friendly environment and modern front lobby entrance.

Bi-directional access and can operate in normally closed or normally open mode.

The glass barrier push into the housing to allow access.

In the event of power voltage failure both access directions are free.

Control activation by Access Control system or manually by remote unit.

Flap Barrier

*the turning point in
entrance control*

POWER FAILURE

- When power goes OFF both directions are free

ELECTRICAL SPECIFICATION

- Voltage: - AC 100 - 240V, 50/60Hz
- DC source 12 V
- Maximum power 155 Watt per pass

MATERIAL

- Stainless steel housing and top (standard)
- Optional available: glass, wood or poly stone
- Servo Motor

PEDESTAL DIMENSION

- Height – 992mm
- Length – 1000mm
- Width – 290mm

BATTERY BACKUP 12V, 7AH

If supplied with backup battery, the battery will switch in during Mains AC failure and support normal operation for at least 2 hours.

WEIGHT

Per pedestal – 101kg

OPTIONAL ITEM AVAILABLE

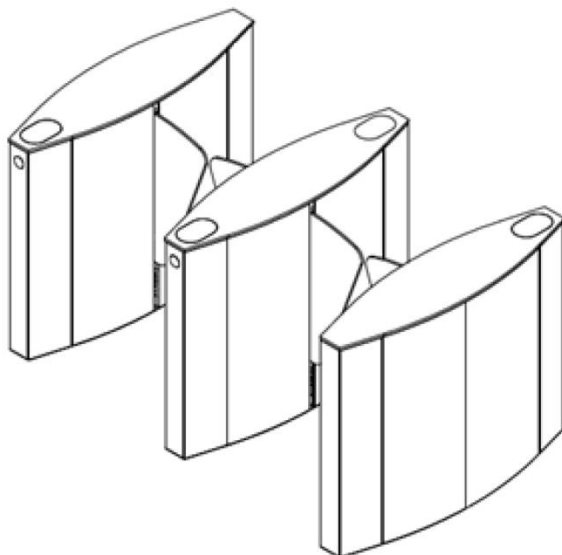
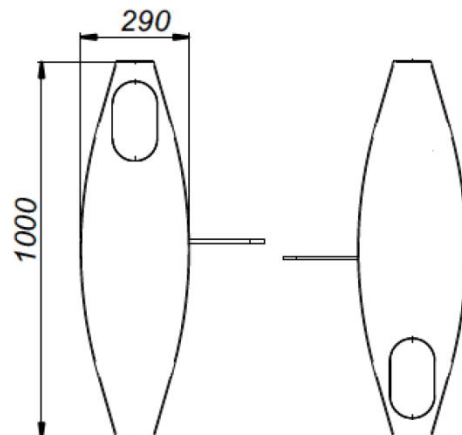
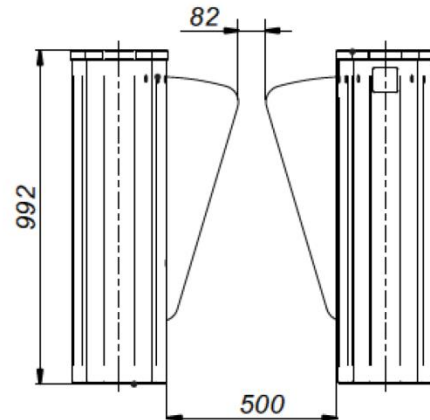
- Remote control unit
- Remote wireless control unit
- Backup battery 12V, 7Ah

COUNTRY OF MANUFACTURE

- Country of origin – Europe
- Country of manufacture – Europe

CE CERTIFIED

flap barrier



dimension subject to change during order