

- ✓ Enterprise-level Software, Entry Level Pricing
- ✓ Proven Performance
- ✓ 5000+ Installations Worldwide



Easy Access...

Now it's easier than ever to have an enterprise level access control system while keeping costs controlled. **APACS Express** offers the superb features of a large access control system **absolutely free for systems with up to 16 devices**. With robust features like 38 access levels per user, advanced anti-passback control and configurable hardware-level linkages, you'll get true professional features at an entry-level price.

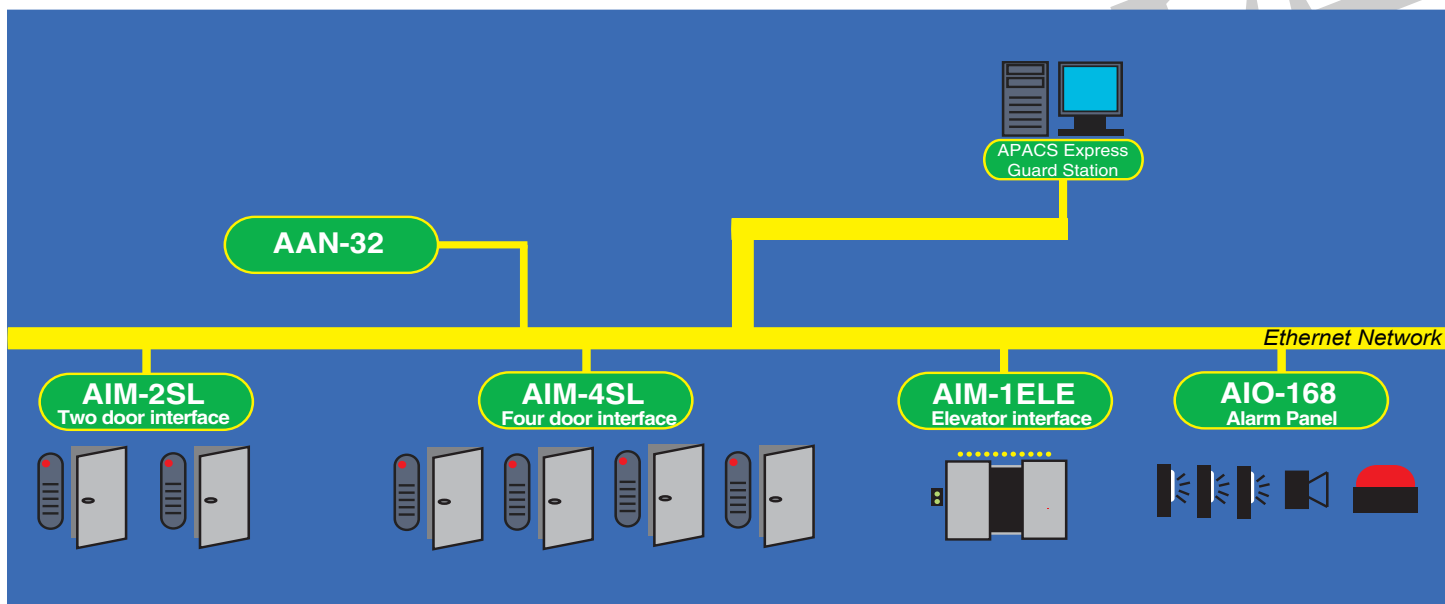
APACS software is the result of years of research and design coupled with real-world input from security professionals working at the most secure sites around the globe. When paired with Apollo's industry leading hardware platform, a more reliable and robust system can hardly be found. Packed with a complete set of standard features including user defined fields, elevator control and attendance reports, you'll also find advanced features like door bolt monitoring and man-trap control. Best of all as your system grows, a no-hassle upgrade allows addition of even more features with APACS Pro, Standard and Lite versions.

APACS Express

Basic reliable access control functions for up to 16 devices with one controller. Features text and map based event display, alarm linkage at the hardware level, event retrieval and sorting, elevator control and many other functions.

- Customizable Graphic Maps ^{NEW!}
- Powerful Photo Badging ^{NEW!}
- Hardware level customized linkages
- Advanced Anti-Passback control
- 38 Access Levels per Card
- Elevator control with up to 128 floors
- Multiple cards per cardholder
- Up to 100 user fields in cardholder records
- Pre-defined reports, user customized reports
- Operator History reports





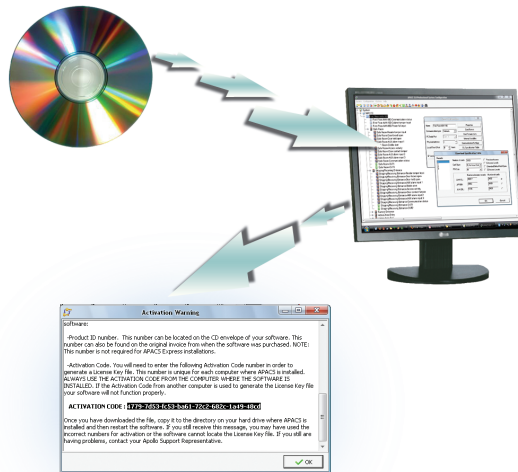
1. Register

Visit www.apollo-security.com and create a user account in the registration section. A confirmation email will be sent notifying you of access to support areas.



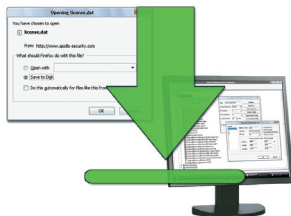
2. Install

Install APACS Express software and run the System Configuration module. An activation warning window will be displayed, copy the Activation Code.



3. Activate

Connect to www.apollo-security.com and login using your confirmed user name and password. Select the Activate Software option under the Support section of the website. Enter the product type and Activation Code (no Product ID is needed for APACS Express). A License Key file will be generated; download this file and save it to the APACS install directory. Your APACS Express installation is ready!



3610 Birch Street
 Newport Beach, CA 92660-2619, USA
 Tel: +1 949 852 8178 Fax: +1 949 852 8172
www.apollo-security.com

